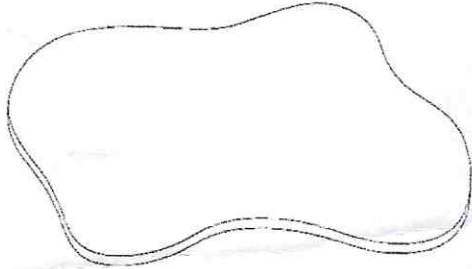


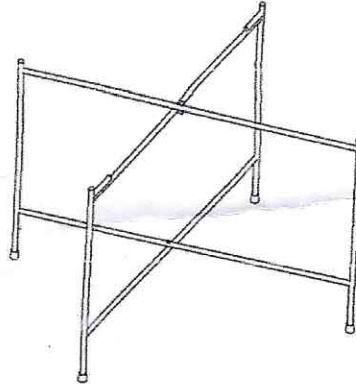
Assembly Instruction

- Always put the part A on part B for assemble the product.

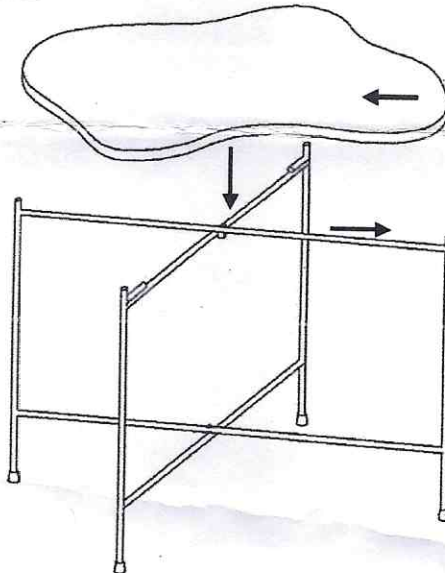
A



B



- To assemble the product, please put the part A on part B as per the instructions given below .



★ Make sure to align the glass' arrow to the stand's arrow, so that the glass can be fixed properly.

- After following all the assembly instructions you will have a beautiful table .

