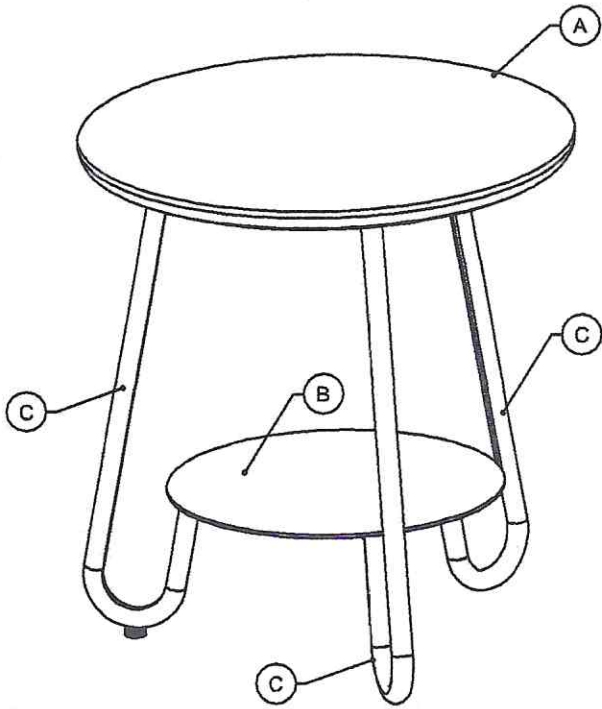
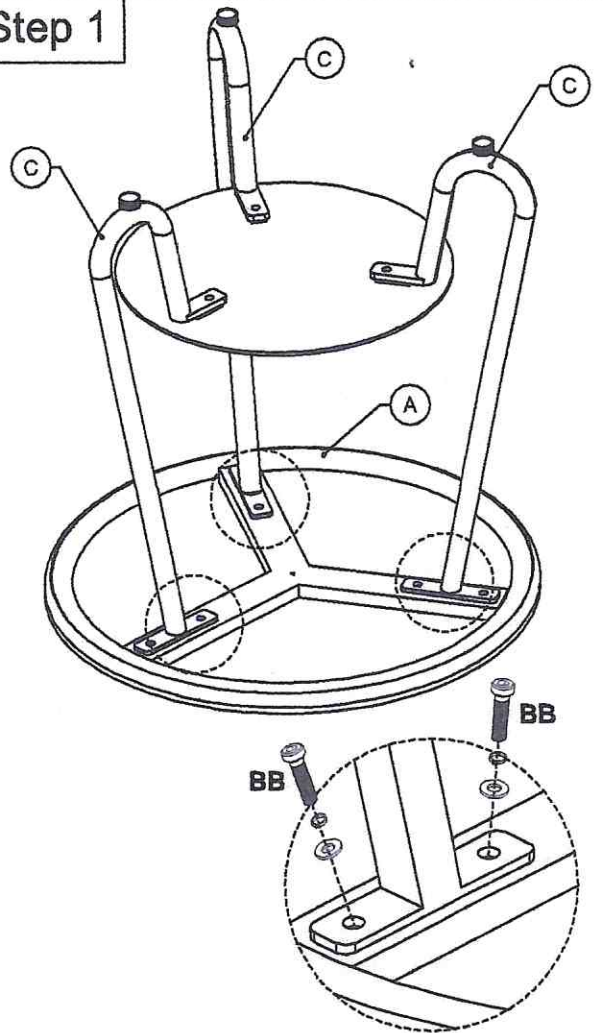


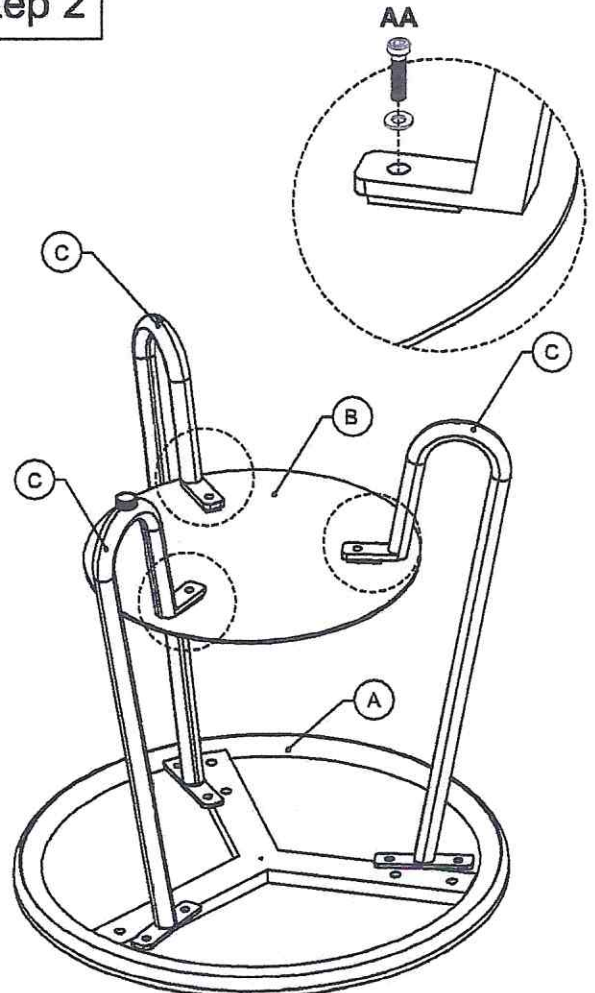
# ASSEMBLY INSTRUCTIONS



## Step 1



## Step 2



Item	Illustration	Qty
A		1
B		1
C		3
AA	M6x10	3
BB	M6x16	6
CC		1