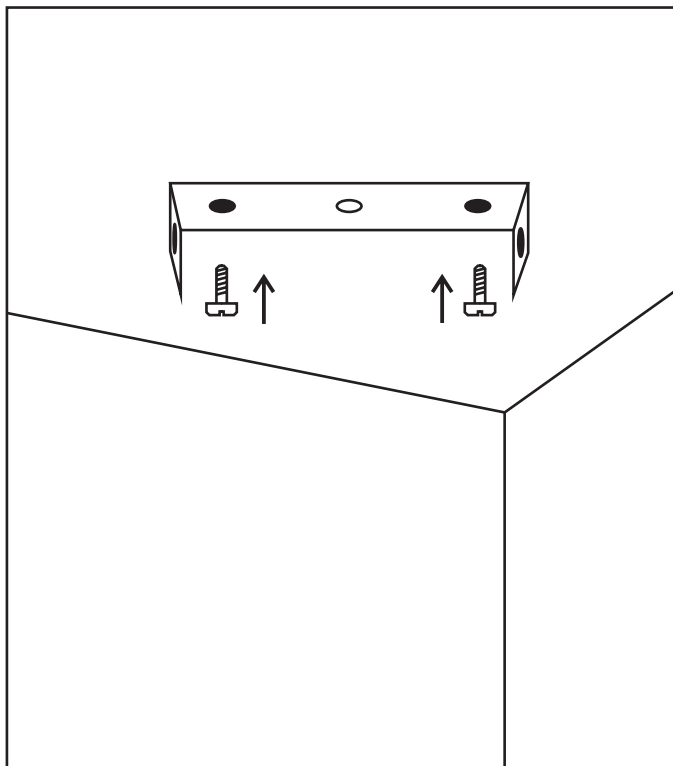
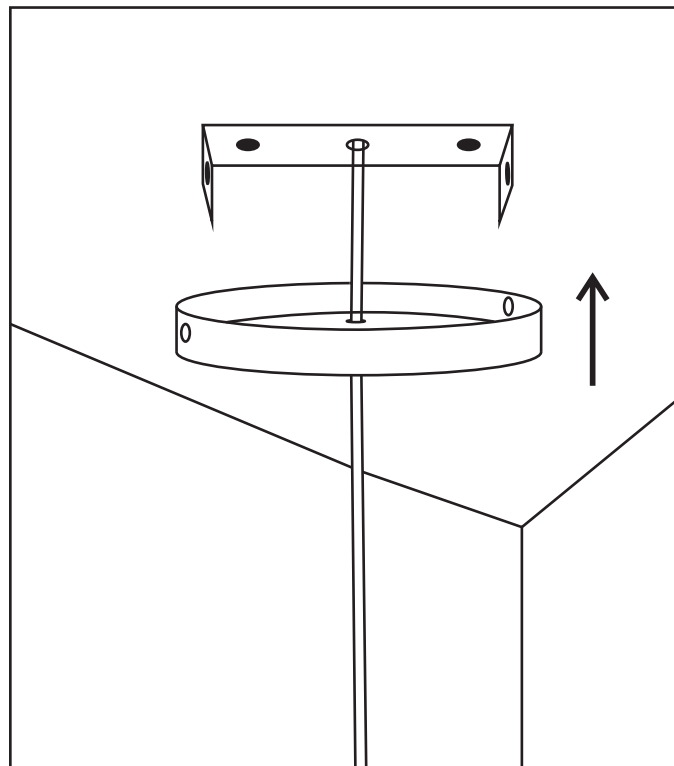


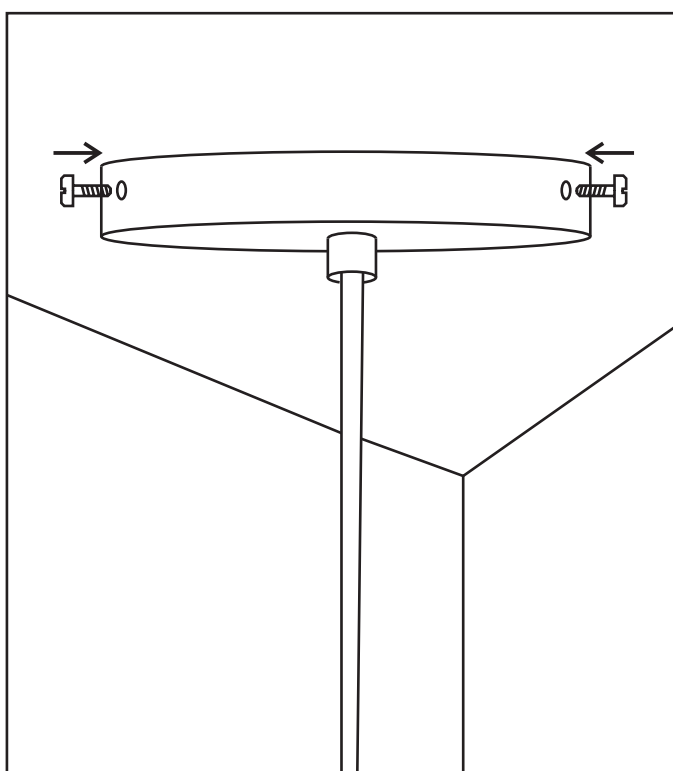
Assembly instructions



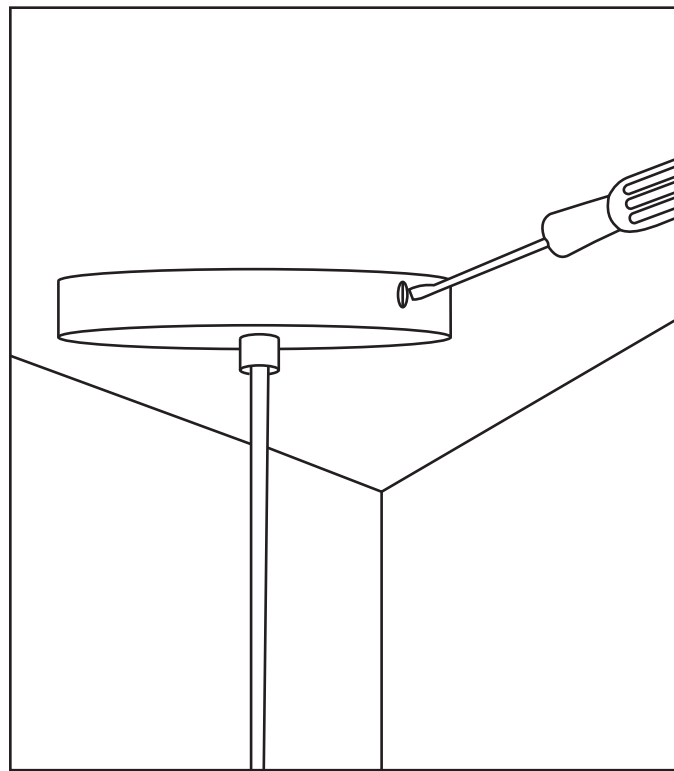
1



2



3



4